

## **SECTION 7. PARTS INFORMATION**

### **7-1. INTRODUCTION**

This section lists the replaceable parts of the Henny Penny Evolution Elite® fryer.

### **7-2. GENUINE PARTS**

Use only genuine Henny Penny parts in your fryer. Using a part of lesser quality or substitute design may result in damage to the unit or personal injury.

### **7-3. WHEN ORDERING PARTS**

Once the parts that you want to order have been found in the parts list, write down the following information:

Item Number	<u>2</u>	Example:
Part Number	<u>60241</u>	
Description	<u>High Limit</u>	

From the data plate, list the following information:

Product Number	<u>01100</u>	Example:
Serial Number	<u>0001</u>	
Voltage	<u>208</u>	

### **7-4. PRICES**

Your distributor has a price parts list and will be glad to inform you of the cost of your parts order.

### **7-5. DELIVERY**



Commonly replaced items are stocked by your distributor and will be sent out when your order is received. Other parts will be ordered, by your distributor, from Henny Penny Corporation. Normally, these will be sent to your distributor within three working days.

### **7-6. WARRANTY**

All replacement parts (except lamps and fuses) are warranted for 90 days against manufacturing defects and workmanship. If damage occurs during shipping, notify the carrier at once so that a claim may be properly filed. Refer to warranty in the front of this manual for other rights and limitations.

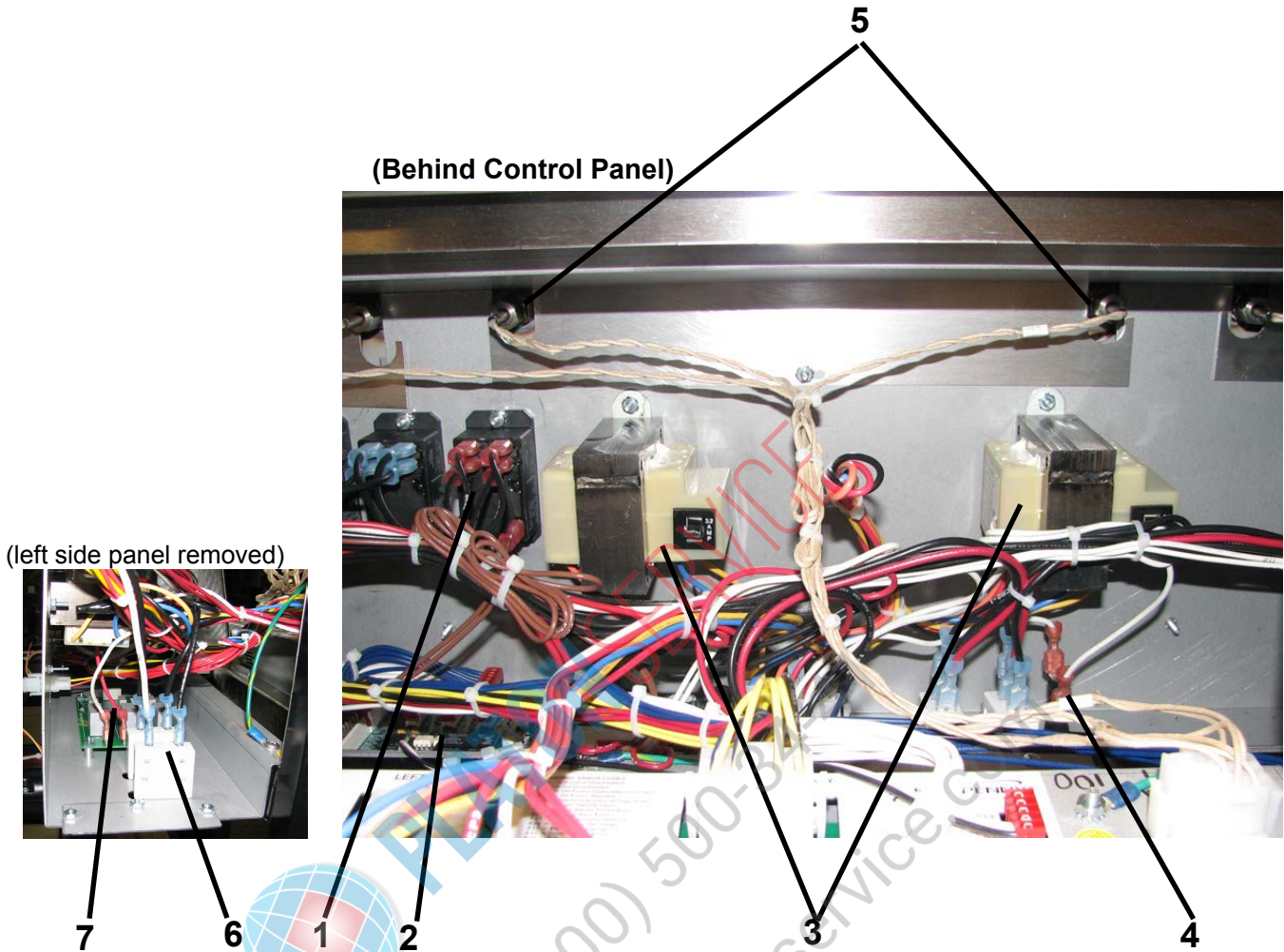
### **7-7. RECOMMENDED SPARE PARTS FOR DISTRIBUTORS**

Recommended replacement parts are indicated with A or B in the parts lists:

A = parts to be stocked on service vans or trucks

B = parts to be stocked at the distributor/KES location.

Inventory on all other parts not identified, should be based upon usage in the territory. Please use care when ordering recommended parts, because all voltages and variations are marked. Distributors should order parts based upon common voltages and equipment sold in their territory.



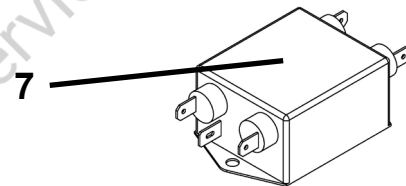
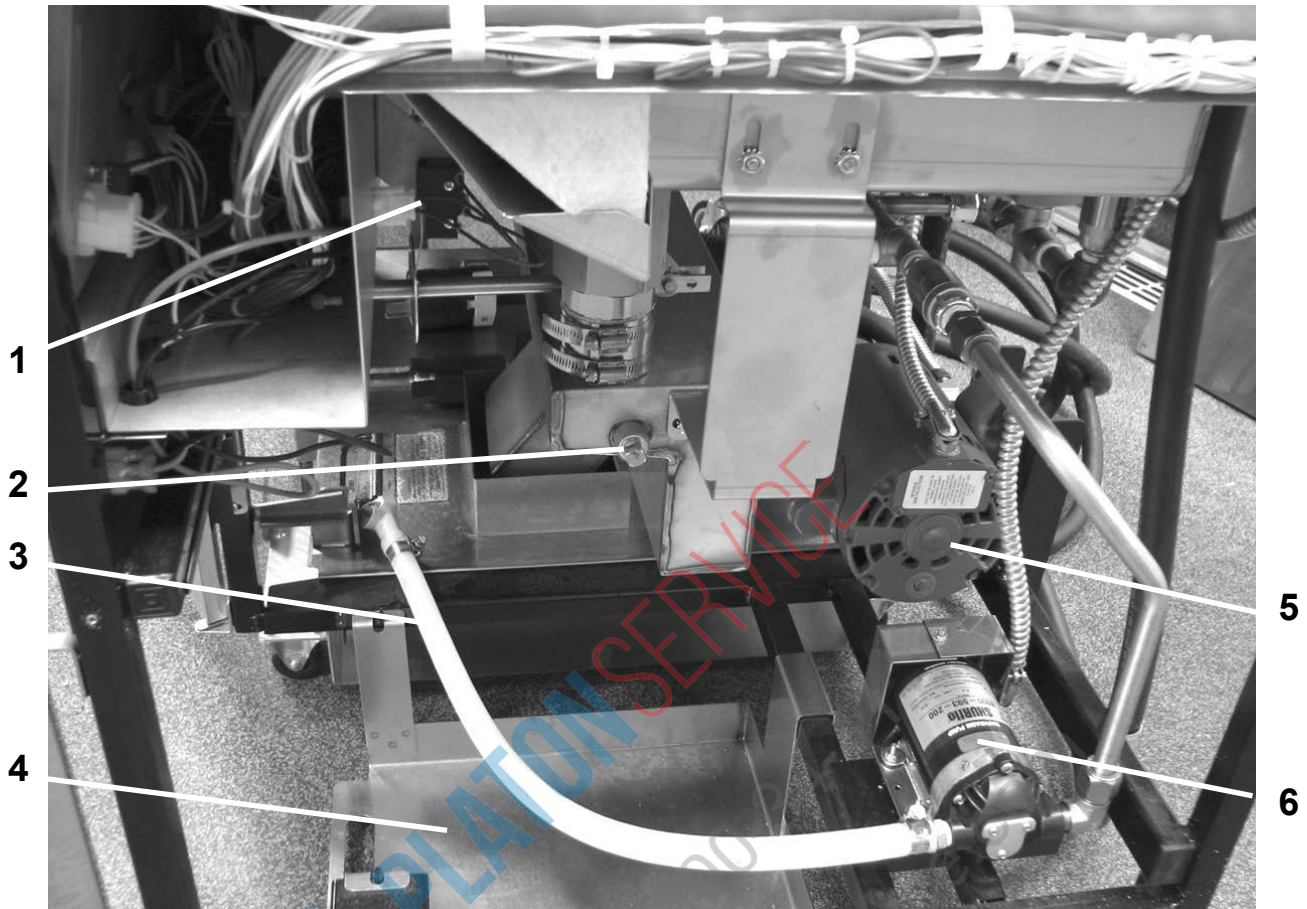
**Electrical Components**

Item No.	Part No.	Description	Quantity
B 1	ME90-008	RELAY - PUMP MOTOR- 12 VDC - 30 AMP .....	AR
B 2	84454RB	PC BOARD - EXPRESS FILTER .....	1
A 3	140057	KIT-TRANSFORMER - Before 11/25/2009 .....	1/vat**
A 3	84134	24V/208V 75VA TRANSFORMER- 11/25/2009 & After.....	1/vat**
A 3	140061	KIT-TRANSFORMER - Before 11/25/2009 .....	1/vat**
A 3	84135	TRANSFORMER (CE) - 11/25/2009 & After. ....	1/vat**
A 4	EF02-104	FUSE HOLDER - 20A-250V .....	1
A	FA52-010	FUSE - 1 AMP (208/240V FRYERS)before SN: BK0911009 .	1
A	FA52-005	FUSE - .5 AMP (208/240V FRYERS)SN: BK0911009 & after	1
A	FA52-015	FUSE - 1.5 AMP (380/400/415V FRYERS).....	1
B 5	14974	LEVEL SENSOR - PROBES - 2.5 in. ....	2/vat
A 6	EF02-125	BREAKER-PUSH BUTTON RESET - 15 AMP .....	AR
B 7	51065	EMC FILTER PCB - CE .....	1
B 8*	TS22-012	TRANSFORMER - AUTO-LIFT .....	1/WELL

Recommend Parts: A=Truck Stock/B=Dist. Stock / \*not shown

AR=As Required

\*\*Only wells with the Express Filter PC board behind the control panel (as shown) has 2 transformers

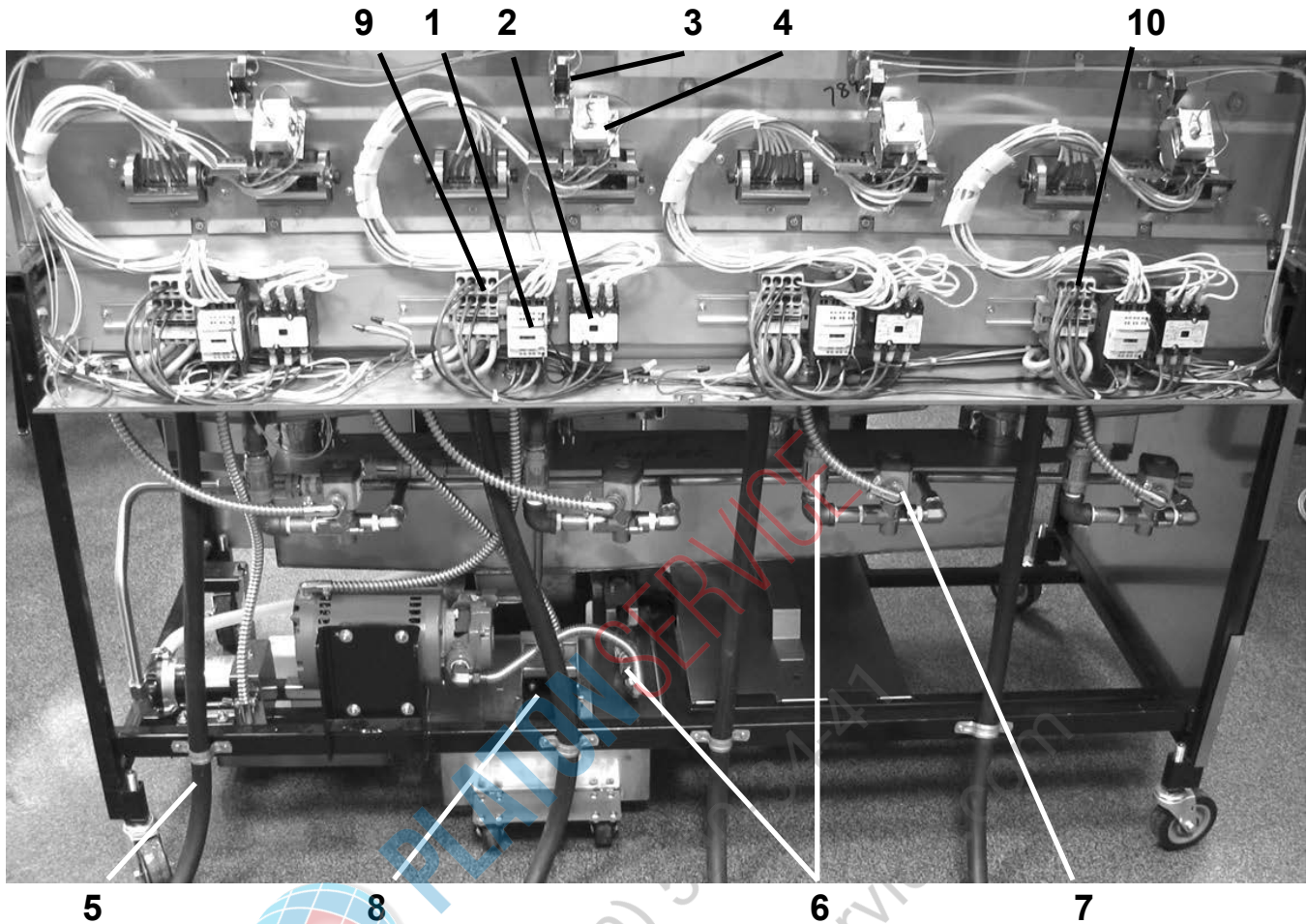


Recommend Parts: A=Truck Stock/B=Dist. Stock

### Right Side Panel Removed

Item No.	Part No.	Description	Quantity
1	81027	ASSY - LEVER SWITCH & BRACKET .....	1/vat
A	50764	MICROSWITCH - RIGID LEVER.....	1/vat
	81017	HARNESS LEVER SWITCH .....	1/vat
	81495	BRACKET - LEVER SWITCH MOUNTING.....	1/vat
2	FP01-099	PLUG-PIPE 3/8 NPT SS .....	1
B 3	81513	ASSY - HOSE.....	1
4	85966	WELD ASSY - JIB SHELF .....	1
5	67589	PUMP & MOTOR ASSY.....	1
A	67583	MOTOR - 1/2 HORSE.....	1
B	17437	PUMP - FILTER - EEE.....	1
A	17476	SEAL KIT .....	1
B 6	74583	PUMP - OIL TOP OFF - 230V .....	1
B 7	80728	EMI FILTER - CE.....	1

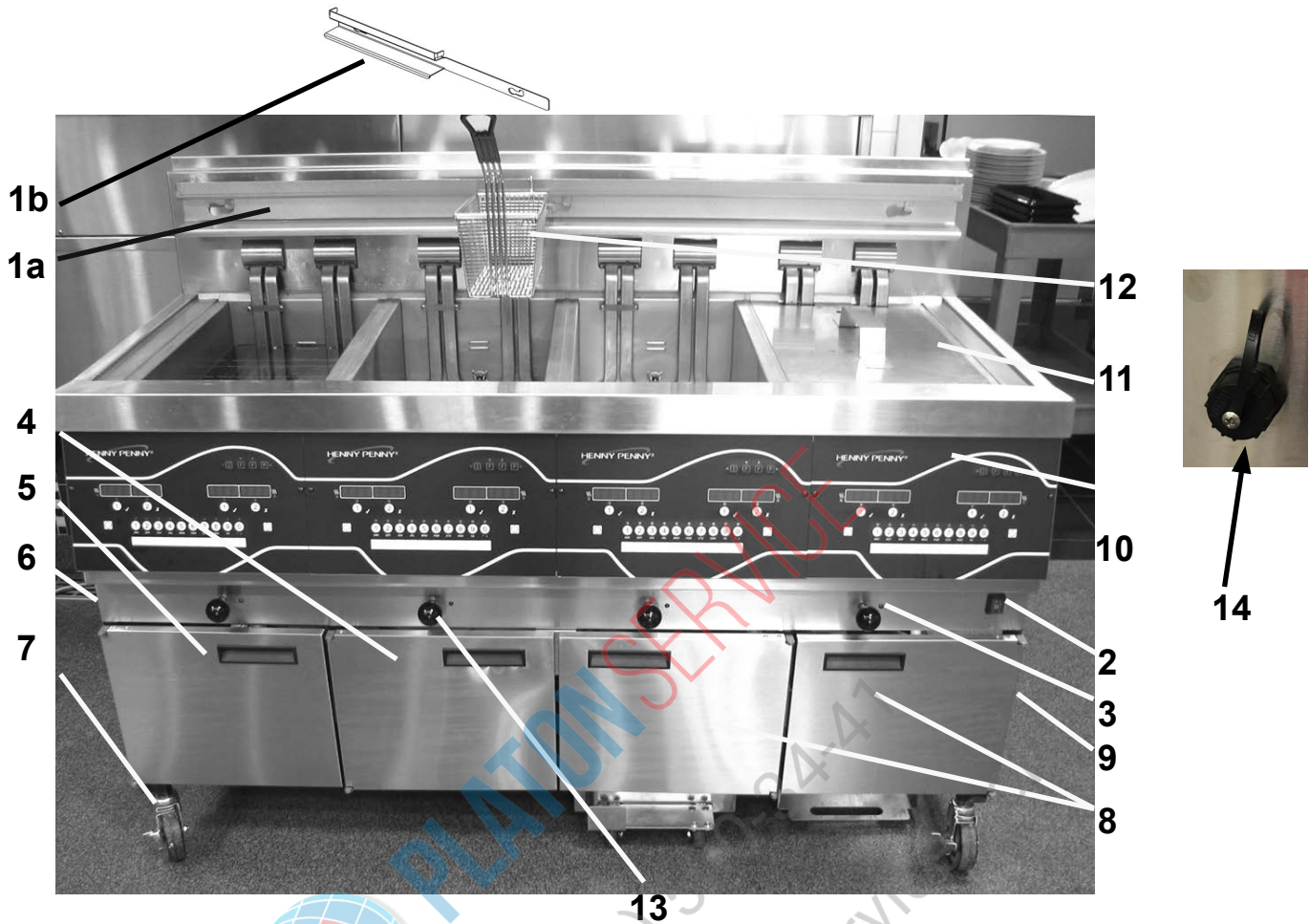




**Rear View**

Item No.	Part No.	Description	Quantity
A 1	78753	CONTACTOR - 24V COIL (Heat Contactor).....	1/vat
A 2	29509	CONTACTOR - 24V COIL (Primary Contactor) .....	1/vat
A 3	18227	SWITCH - ELEMENT LIFT .....	1/vat
A 4	140253	KIT - HIGH LIMIT - 425 F .....	1/vat
5	75381	ASSY - POWER CORD - 208-240V-60 AMP.....	1/vat
5	82087	ASSY - POWER CORD - 208-240V-50 AMP.....	1/vat
5	79364	ASSY - CE POWER CORD .....	1/vat
A 6	74469	VALVE - CHECK - 1/2" (Vat Fill).....	1/vat
A 7	74582	VALVE - SOLENOID 220-240V - 1/2N (Vat Fill Solenoids) .....	1/vat
	140229	KIT- SOLENOID REPAIR.....	A/R
A 8	80148	ASSY-DRAIN SWITCH W/BOOT .....	1
B 9	78702	ASSY - TERMINAL BLOCK - DOM.....	1/vat
B 9	86835	ASSY-TERM. BLOCK-DOM-EEE-141 ONLY (inside junction box)...	1
B 9	65427	ASSY-TERM. BLOCK - CE - EEE-141 ONLY (inside junction box)...	1
B 9	78705	ASSY-TERMINAL BLOCK-INT'L (LEFT VAT ONLY-before July 2010)	1
B 9	78706	ASSY-TERMINAL BLOCK-INT'L (ALL BUT LEFT VAT) .....	1/vat
B 10	87033	ASSY-TERMINAL BLOCK-DOM (LEFT VAT ONLY-July 2010 & after)	1
B 10	87034	ASSY-TERMINAL BLOCK-INT'L(LEFT VAT ONLY-July 2010 & after)	1

Recommend Parts: A=Truck Stock/B=Dist. Stock \*not shown



**Front View**

Item No.	Part No.	Description	Quantity
1a	85520	HANGER-BASKET - EEE-141 .....	1
1a	77842	HANGER-BASKET - EEE-142 .....	1
1a	77709	HANGER-BASKET - EEE-143 .....	1
1a	77934	HANGER-BASKET - EEE-144 .....	1
1b	91164	HANGER-BASKET - EEE-142 Auto-Lift .....	1
A 2	52224	SWITCH - POWER .....	1
B 3	81980	LED - 5 mm BLUE .....	1/vat
4	81185	ASSY-LH DOOR .....	1
5	81847	ASSY-LH DOOR - EEE-144 ONLY .....	1
		(See door breakdown on next page)	
6	74460	PANEL - LH SIDE .....	1
7	77575	CASTER - 4" - W/BRAKE .....	2
8	81190	ASSY - RH DOOR .....	1 or 2
		(See door breakdown on next page)	
9	74461	PANEL - RH SIDE .....	1
B 10	81943RB	ASSY - EEE14X CONTROL .....	+
B 10	84417RB	ASSY - EEE14X AUTO-LIFT CONTROL .....	+
B 10	140402	KIT-EEX CONTROL W/THUMB DRIVE (Smart Touch) .	+
11	03623	WELD ASSY - COVER - SPLIT VAT .....	1/vat
11	03624	WELD ASSY - COVER - FULL VAT .....	1/vat

..... Continued next page

+ EEE141=1; EEE142=2; EEE143=3; EEE144=4  
Recommend Parts: A=Truck Stock/B=Dist. Stock

**Front View (Continued)**

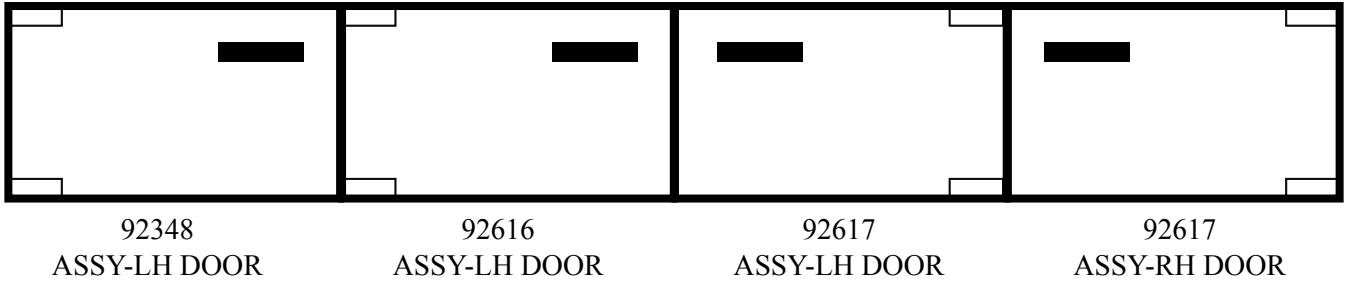
Item No.	Part No.	Description	Quantity
12	81915	BASKET - 1/2 SIZE - COATED HANDLE.....	2/vat
12	83449	BASKET-1/2 SIZE-TIERED-FRONT/REAR HOOK ....	2/vat
12	86907	BASKET-1/2 DIVIDED-FRONT HOOK .....	2/vat
12	85136	BASKET-FULL SIZE-COATED HANDLE .....	1/vat
13	16101	KNOB - SPINDLE - BLACK.....	1/vat
14	152487	CABLE-USB PORT AND .....	1/vat
14	152488	CAP-USB.....	1/vat
15*	77679	CASTER - 4" .....	2
16*	140119	KIT-FDS210 TO EEE141 JOINING .....	1
16*	140051	KIT-FDS210 TO EEE142 JOINING .....	1
16*	140052	KIT-FDS210 TO EEE143/144 JOINING .....	1

\*not shown



**PLATON SERVICE**  
8 (800) 500-34-47  
www.platonservice.com

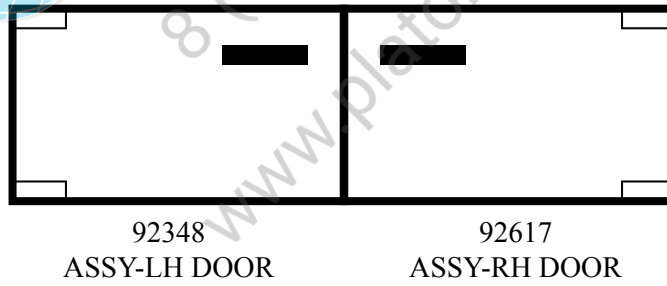
**EEE-144 Door Break Down**



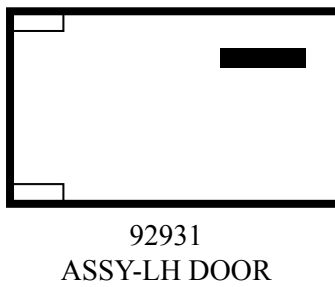
**EEE-143 Door Break Down**



**EEE-142 Door Break Down**



**EEE-141 Door Break Down**

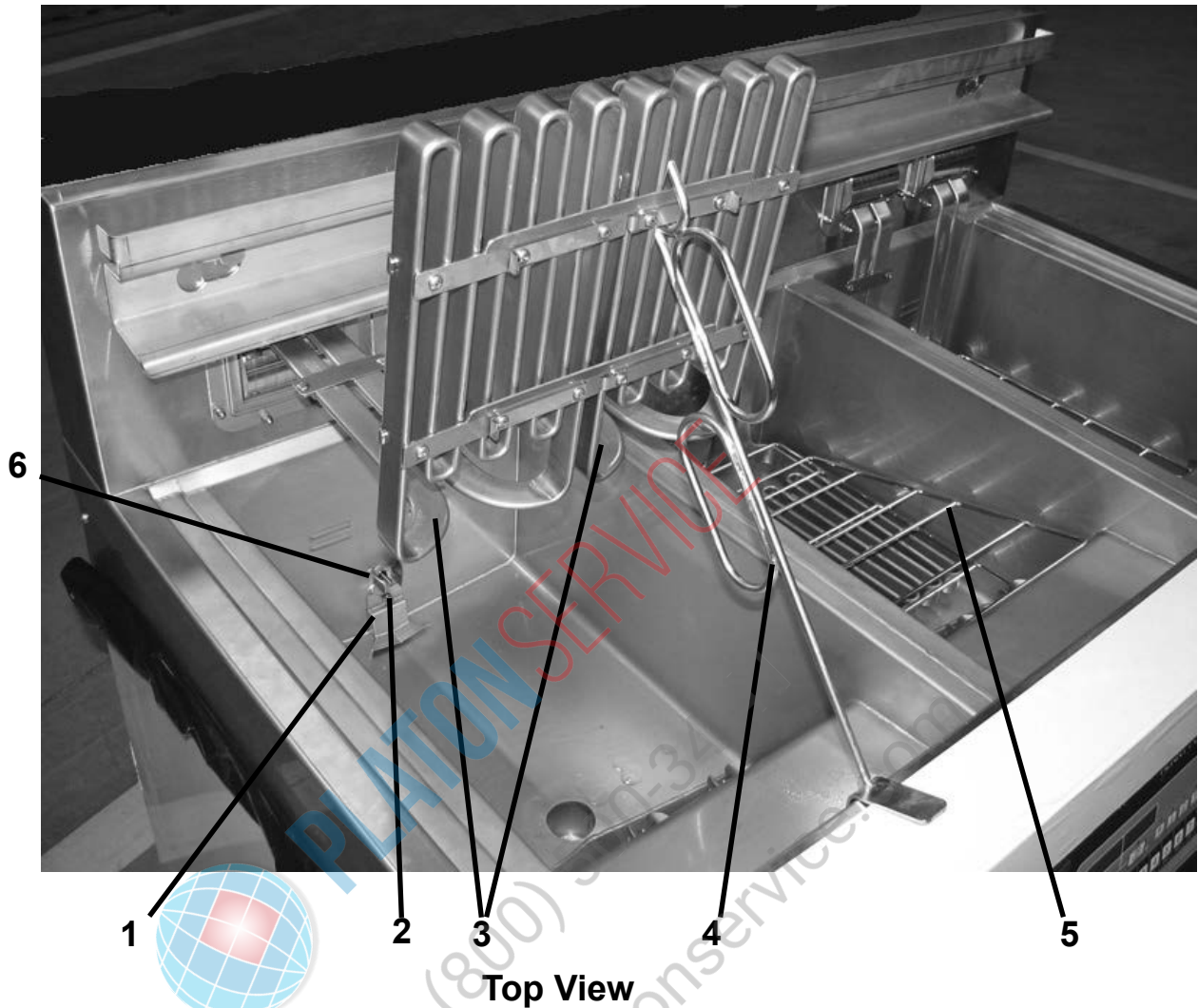


<b>Door Hinge Chart</b>					
<b>Door</b>	<b>Top Hinge (Frame)</b>	<b>Top Hinge (Door)</b>	<b>Bottom Hinge (Door)</b>	<b>Bottom Hinge (Frame)</b>	<b>Bushing</b>
92931	92080	92342	92340	92079	39752
92348	92080	92342	92340	92079	39752
92617	92620	92618	92619	92621	39752
92616	92080	92342	92340	92079	39752



**PLATON SERVICE**  
8 (800) 500-34-41  
www.platonservice.com

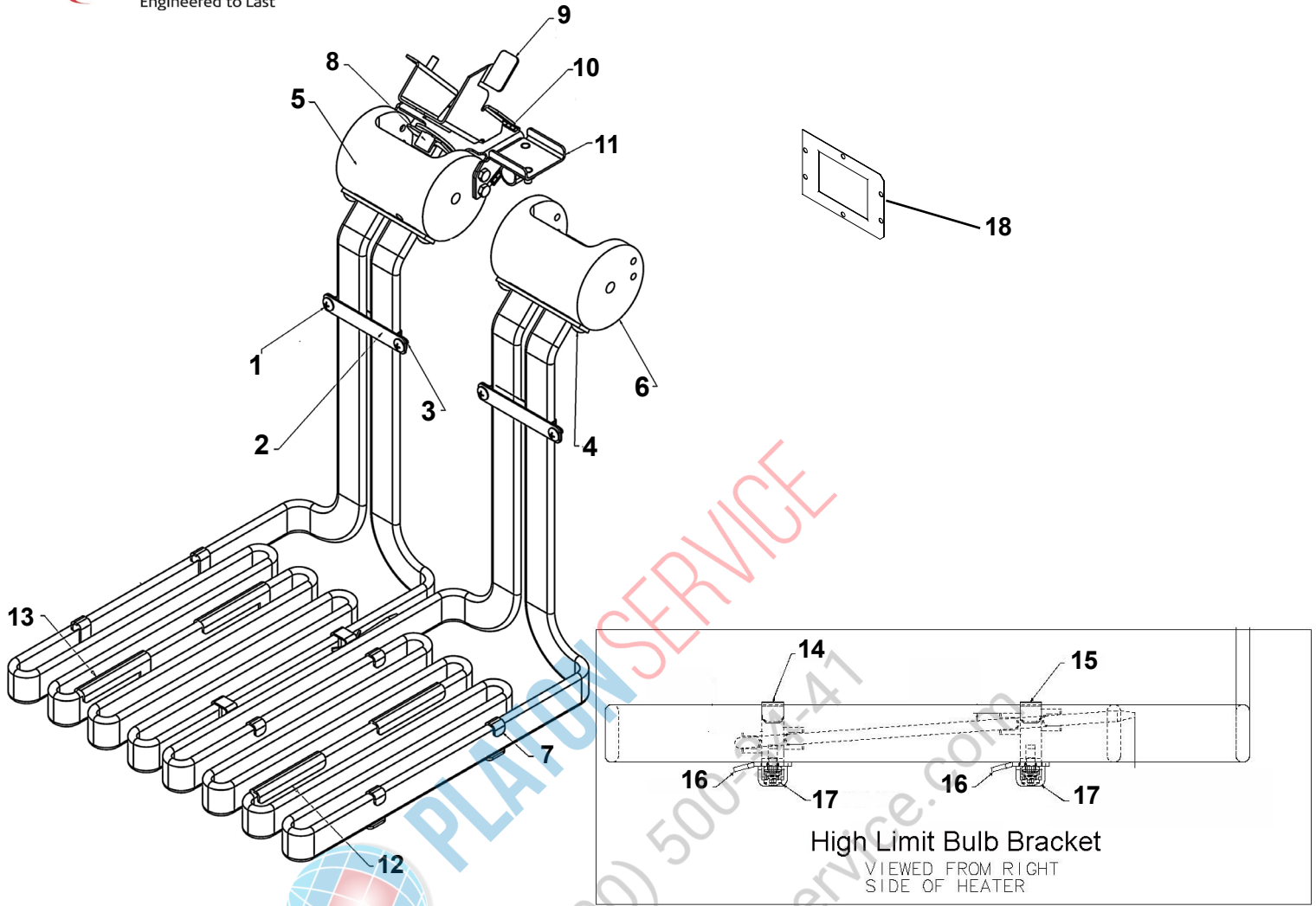




**Top View**

Item No.	Part No.	Description	Quantity
1	77838	WELD ASSY- LOW OIL DIVERTER .....	1/vat
2	NS03-044	NUT - ACORN - #10-24 - SS .....	1/vat
B 3	78484-001	ELEMENT-HEATING - 7 KW-208V .....	2/full; 1/split
B 3	78484-002	ELEMENT-HEATING - 7 KW-230V .....	2/full; 1/split
B 3	78484-003	ELEMENT-HEATING - 7 KW-480V .....	2/full; 1/split
B 3	78484-004	ELEMENT-HEATING - 7 KW-200V .....	2/full; 1/split
B 3	78484-005	ELEMENT-HEATING - 7 KW-220V .....	2/full; 1/split
B 3	78484-006	ELEMENT-HEATING - 7 KW-240V .....	2/full; 1/split
B 3	86731-001	ELEMENT-HEATING - 8.5 KW-208V .....	2/full; 1/split
B 3	86731-002	ELEMENT-HEATING - 8.5 KW-220V .....	2/full; 1/split
B 3	86731-003	ELEMENT-HEATING - 8.5 KW-230V .....	2/full; 1/split
B 3	86731-004	ELEMENT-HEATING - 8.5 KW-240V .....	2/full; 1/split
B 4	74725	HANDLE - ELEMENT LIFT .....	1
B 5	84362	RACK - SPLIT VAT .....	1/vat
B 5	74916	RACK - FULL VAT .....	1/vat
A 6	14984	PROBE - TEMPERATURE .....	1/vat

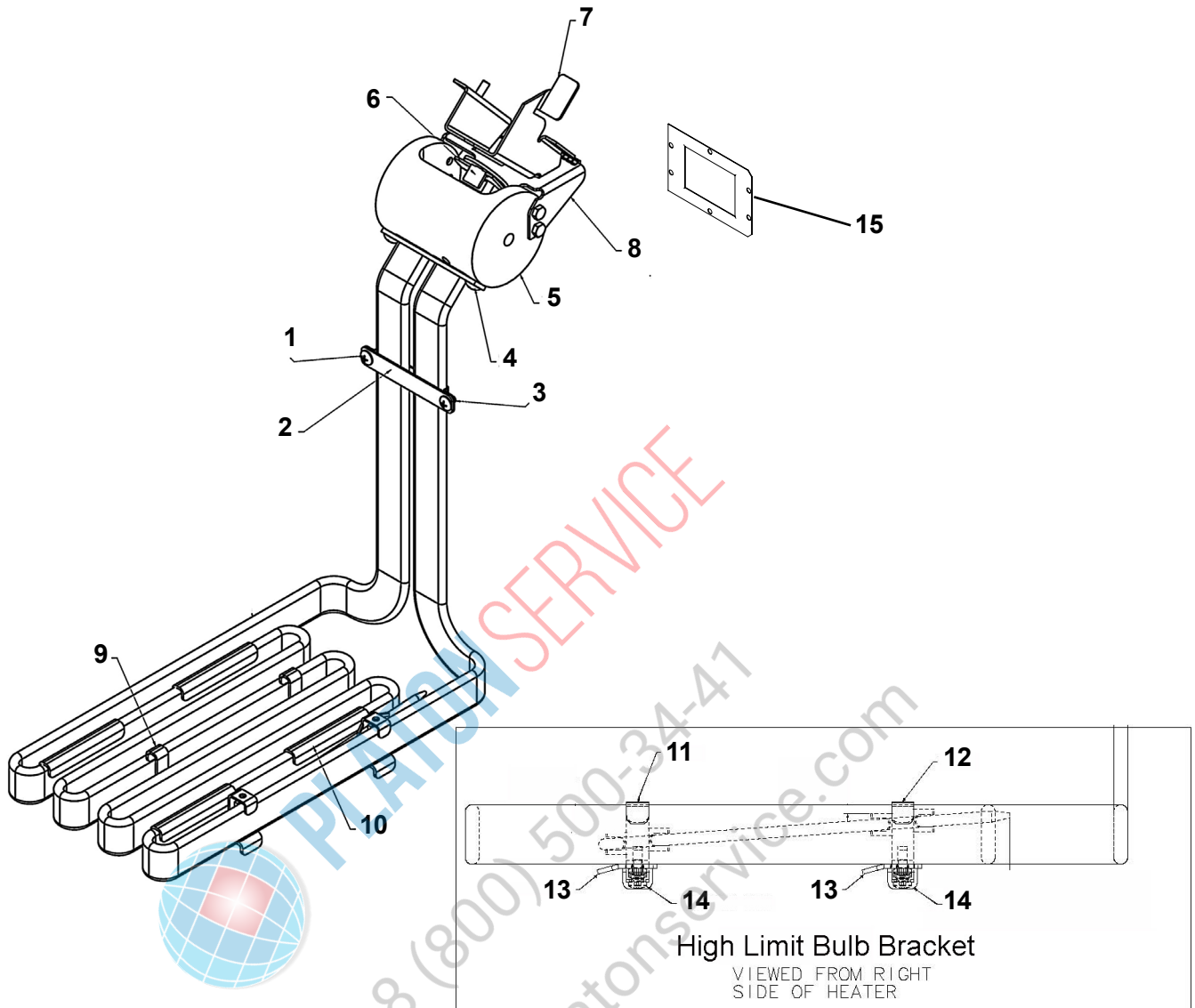
Recommend Parts: A=Truck Stock/B=Dist. Stock \*not shown



Item No.	Part No.	Description	Quantity
1	SC01-076	SCREW #8-32 X 1/4 PH THD S.....	2/vat
2	75819	PLATE - FRONT CAPILLARY.....	1/vat
3	75818	PLATE - REAR CAPILLARY.....	1/vat
4	SC01-074	SCREW #10-32 X 1/2 PH THD S.....	4/vat
5	74209	HOUSING - ELEMENT PIVOT.....	1/vat
6	82459	HOUSING - ELEMENT PIVOT - RH FULL.....	1/vat
7	78499	STRAP - SPREADER.....	6/vat
8	73713	WELD ASSY - HI LIMIT RESET PIN.....	1/vat
9	77147	WELD ASSY - PIVOT HI LIMIT BRACKET.....	1/vat
10	78780	BRACKET - HI LIMIT MOUNTING.....	1/vat
11	78896	STUD ASSY - GRND & WIRE MOUNTING.....	1/vat
12	85735	STRAP - SPREADER RH-EEE 14X-SN:BK0912003 & after.....	2/vat
13	85736	STRAP - SPREADER LH-EEE 14X-SN:BK0912003 & after.....	2/vat
14	78614	GUARD - FULL FRONT HI LIMIT.....	1/vat
15	78615	GUARD - FULL REAR HI LIMIT.....	1/vat
16	78494	WELD ASSY - SPREADER - FULL.....	2/vat
17	SC04-003	SCREW #8-32 X 3/8 PH PHD S.....	12/vat
B 18	76964	GASKET - PIVOT HUB.....	2/vat
A 19*	OR01-004	O-RING (Fits on element against items #5 & 6).....	2/element

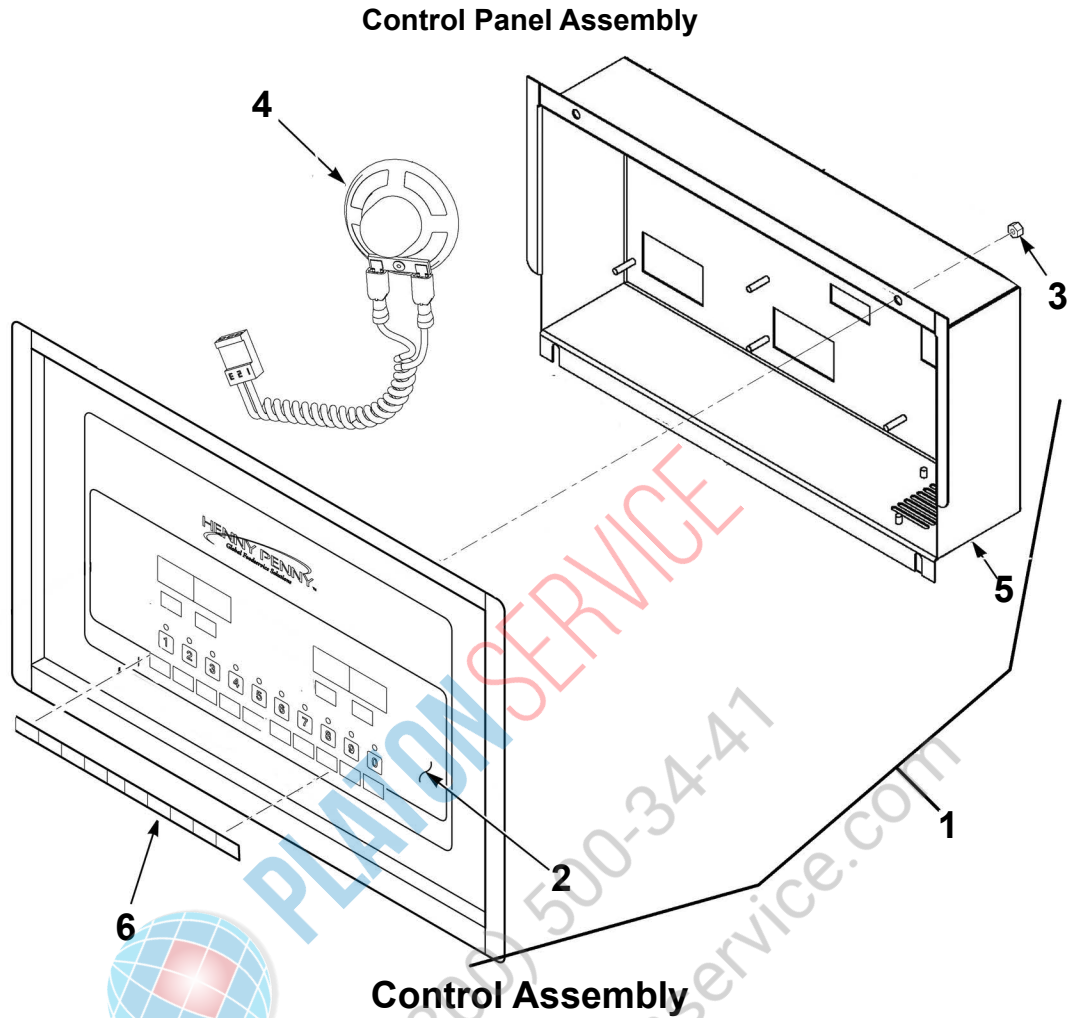
Recommend Parts: A=Truck Stock/B=Dist. Stock

\*not shown



Item No.	Part No.	Description	Quantity
1	SC01-076	SCREW #8-32 X 1/4 PH THD S .....	2/vat
2	75819	PLATE - FRONT CAPILLARY .....	1/vat
3	75818	PLATE - REAR CAPILLARY .....	1/vat
4	SC01-074	SCREW #10-32 X 1/2 PH THD S .....	2/vat
5	74209	HOUSING - ELEMENT PIVOT .....	1/vat
6	73713	WELD ASSY - HI LIMIT RESET PIN .....	1/vat
7	77147	WELD ASSY - PIVOT HI LIMIT BRACKET .....	1/vat
8	78780	BRACKET - HI LIMIT MOUNTING.....	1/vat
9	78499	STRAP - SPREADER .....	4/vat
10	85735	STRAP - SPREADER RH-EEE 14X-SN:BK0912003 & after	4/vat
11	78601	GUARD - FULL FRONT HI LIMIT .....	1/vat
12	78602	GUARD - FULL REAR HI LIMIT .....	1/vat
13	78617	WELD ASSY - SPREADER - FULL .....	2/vat
14	SC04-003	SCREW #8-32 X 3/8 PH PHD S .....	6/vat
B 15	76964	GASKET - PIVOT HUB .....	1/vat
A 16*	OR01-004	O-RING (Fits on element against items #5 & 6) .....	2/element

Recommend Parts: A=Truck Stock/B=Dist. Stock / \*not shown



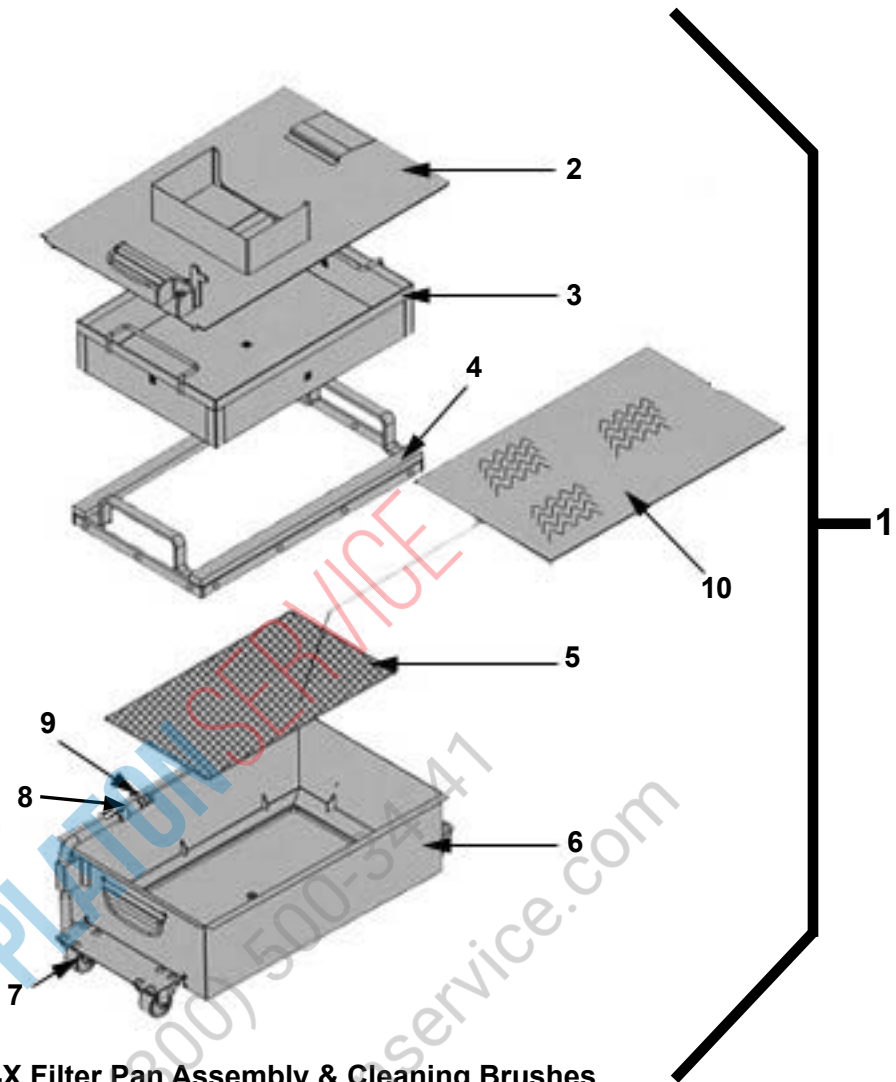
Item No.	Part No.	Description	Quantity
B 1	81943RB	ASSY - EEE14X CONTROL .....	+
B 1	84417RB	ASSY - EEE14X AUTO-LIFT CONTROL.....	+
2	81354	DECAL - EVOLUTION ELITE® CONTROL .....	1/control
2	83206	DECAL - EE AUTO-LIFT CONTROL.....	1/control
3	NS02-005	NUT - HEX KEPS #6-32 C .....	23/control
B 4	26974	ASSY - SPEAKER .....	1/control
5	82085	STUD ASSY - CONTROL PANEL COVER .....	1/control
6	81613	MENU CARD - BLANK - EVOLUTION .....	1/control
A 7*	MS01-571	TOOL - TERMINAL EXTRACTOR .....	1
8*	84910	ASSY - MMC/SD EVENT LOGGER.....	1

Recommend Parts: A=Truck Stock/B=Dist. Stock

\*not shown

+ EEE141=1; EEE142=2; EEE143=3; EEE144=4

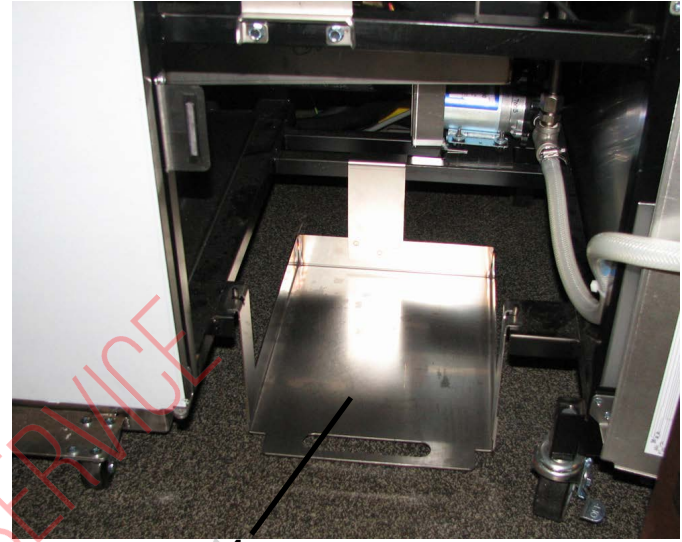




**EEE-14X Filter Pan Assembly & Cleaning Brushes**

Item No.	Part No.	Description	Quantity
1	77531	ASSY - DRAIN PAN.....	1
1	87609	ASSY - DRAIN PAN - EEE-141 Only.....	1
2	82673	ASSY-DRAIN PAN COVER.....	1
2	82674	ASSY-DRAIN PAN COVER - EEE-141 Only.....	1
3	76259	WELD ASSY-CRUMB CATCHER.....	1
4	76179	WELD ASSY-FILTER WEIGHT.....	1
5	76375	FILTER-SECTION.....	1
6	82672	WELD ASSY-DRAIN PAN.....	1
7	52487	CASTER - FILTER PAN.....	4
8	74573	ADAPTOR - PUMP TO PICKUP TUBE.....	1
A 9	74189	O-RING-PICKUP TUBE.....	3
B 10	12074	SMART FILTER PAD - 30 COUNT-.....	1
B 10	12076	SMART FILTER PAPER - 100 COUNT-.....	1
B 10	12078	FILTER EE PLEATED DUAL LAYER - 30 COUNT-.....	1
B 11	12126	BRUSH - BLACK L.....	1
B 12	12112	BRUSH - STRAIGHT WHITE.....	1
B 13	12116	BRUSH - FRYER - LONG HANDLE.....	1
14*	03671	240V - GM SEMI-SOLID OIL MELTER.....	1
14*	03675	120v - GM SEMI-SOLID OIL MELTER.....	1

Recommend Parts: A=Truck Stock/B=Dist. Stock \*not shown



1

2

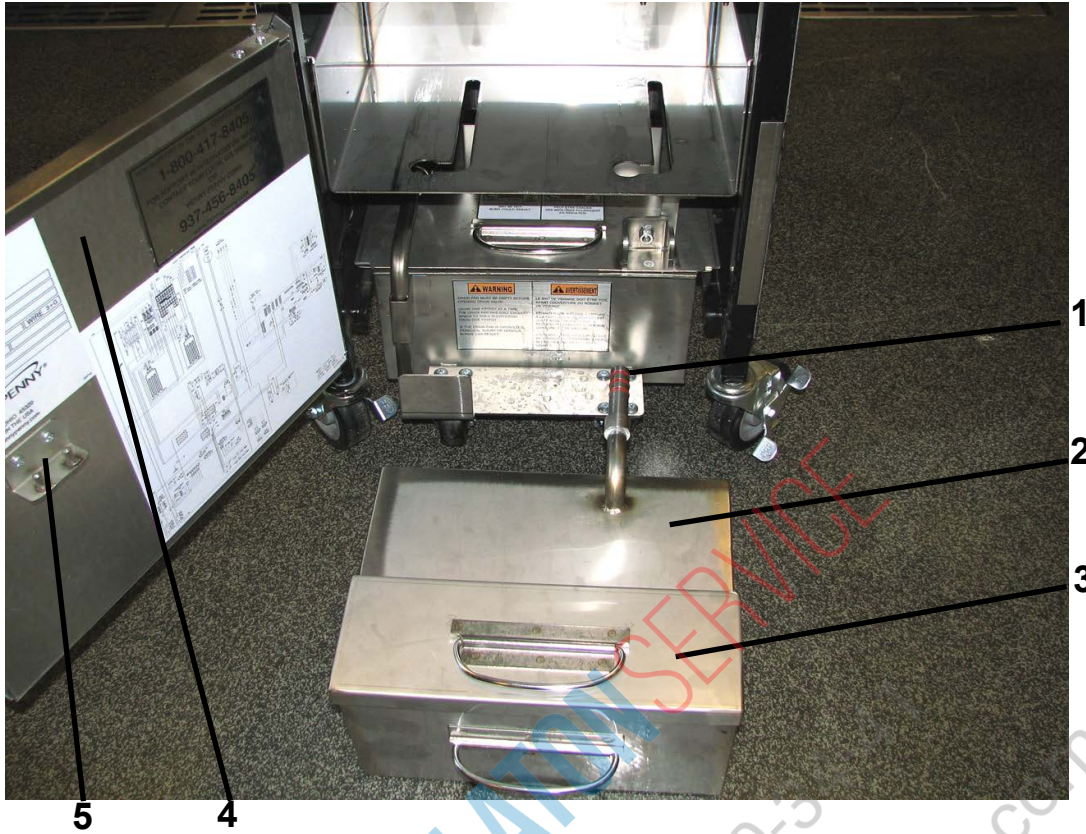
3

4

**JIB System - EEE-142, 143, 144**

Item No.	Part No.	Description	Quantity
1	03617	ACCESSORY-JUG-AUTO TOP OFF (EMPTY) .....	1
B 2	78992	ASSY-JIB TUBE & QUICK DISC .....	1
B 2	80490	ASSY-INT'L. JIB TUBE & QUICK DISC .....	1
B 3	81513	ASSY - HOSE .....	1
4	85966	WELD ASSY - JIB SHELF .....	1

Recommend Parts: A=Truck Stock/B=Dist. Stock



**Oil Pan & Door Assembly - EEE-141**

Item No.	Part No.	Description	Quantity
A 1	74189	O-RING-PICKUP TUBE.....	3
2	85969	OIL BOX WELD ASSY - FULL VAT .....	1
2	89736	OIL BOX WELD ASSY - SPLIT VAT .....	1
3	86065	OIL BOX COVER ASSY .....	1
4	85163	DOOR ASSY - EEX-141 .....	1
5	86566	LID HANGER BRACKET STUD ASSY .....	1

Recommend Parts: A=Truck Stock/B=Dist. Stock



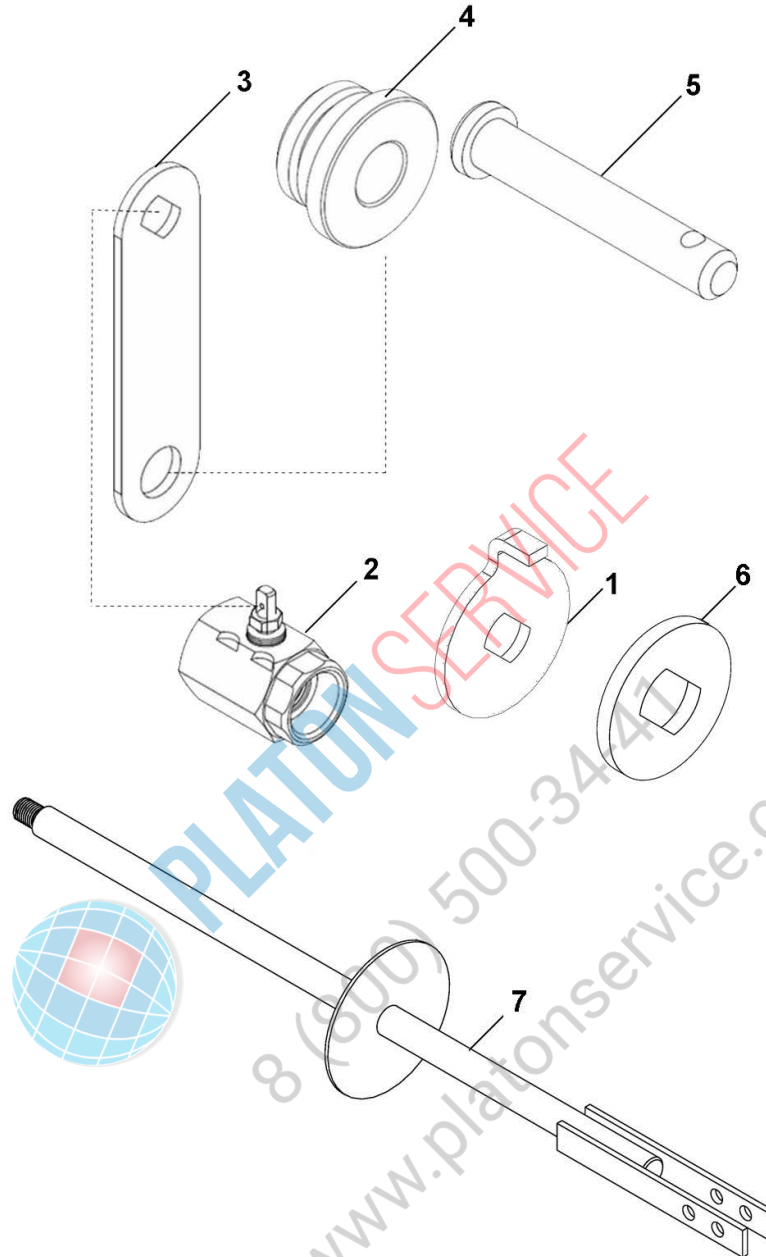


**Oil Management Components - EEE-141**

Item No.	Part No.	Description	Quantity
A 1	74582	VALVE - SOLENOID 220-240V - 1/2N (Vat Fill Solenoids) .	1
A 2	74469	VALVE - CHECK - 1/2" (Vat Fill) .....	1
B 3	74583	PUMP - OIL TOP OFF - 230V .....	1
4	85777	PUMP & MOTOR ASSY.....	1
A	67583	MOTOR - 1/2 HORSE.....	1
B	17437	PUMP - FILTER .....	1
A	17476	SEAL KIT .....	1

Recommend Parts: A=Truck Stock/B=Dist. Stock



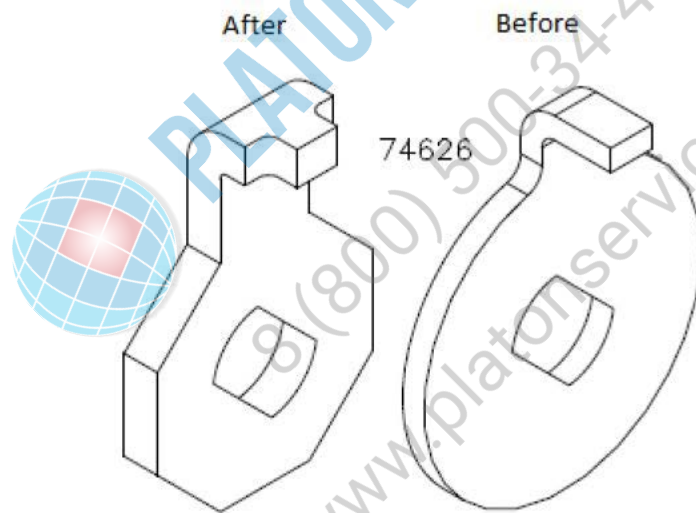


**Drain Valve Linkage Parts**

Item No.	Part No.	Description	Quantity
1	XXXXX	See Chart on next page	1/vat
B 2	79590	VALVE-DRAIN 1.250 PORT W/O HDL	1/vat
B 2	83732	VALVE-DRAIN 1-1/2 NPT X 1 NPT - <b>EEE141 ONLY</b>	1
B 2	81911	ASSY-ACTUATOR DRAIN W/O-RINGS (Smart Touch)	1/vat
A 3	73994	HANDLE - PIVOT - DRAIN	1/vat
4	74568	PIVOT - BUSHING - ACTUATOR	1/vat
B 5	PN01-012	PIN - CLEVIS - 1/4 x 1 IN SS	1/vat
6	74571	SPACER - PIVOT DRAIN HANDLE	1/vat
7	81183	ASSY - DRAIN EXTENSION ROD	1/vat
8*	PN01-001	PIN - COTTER	1/vat

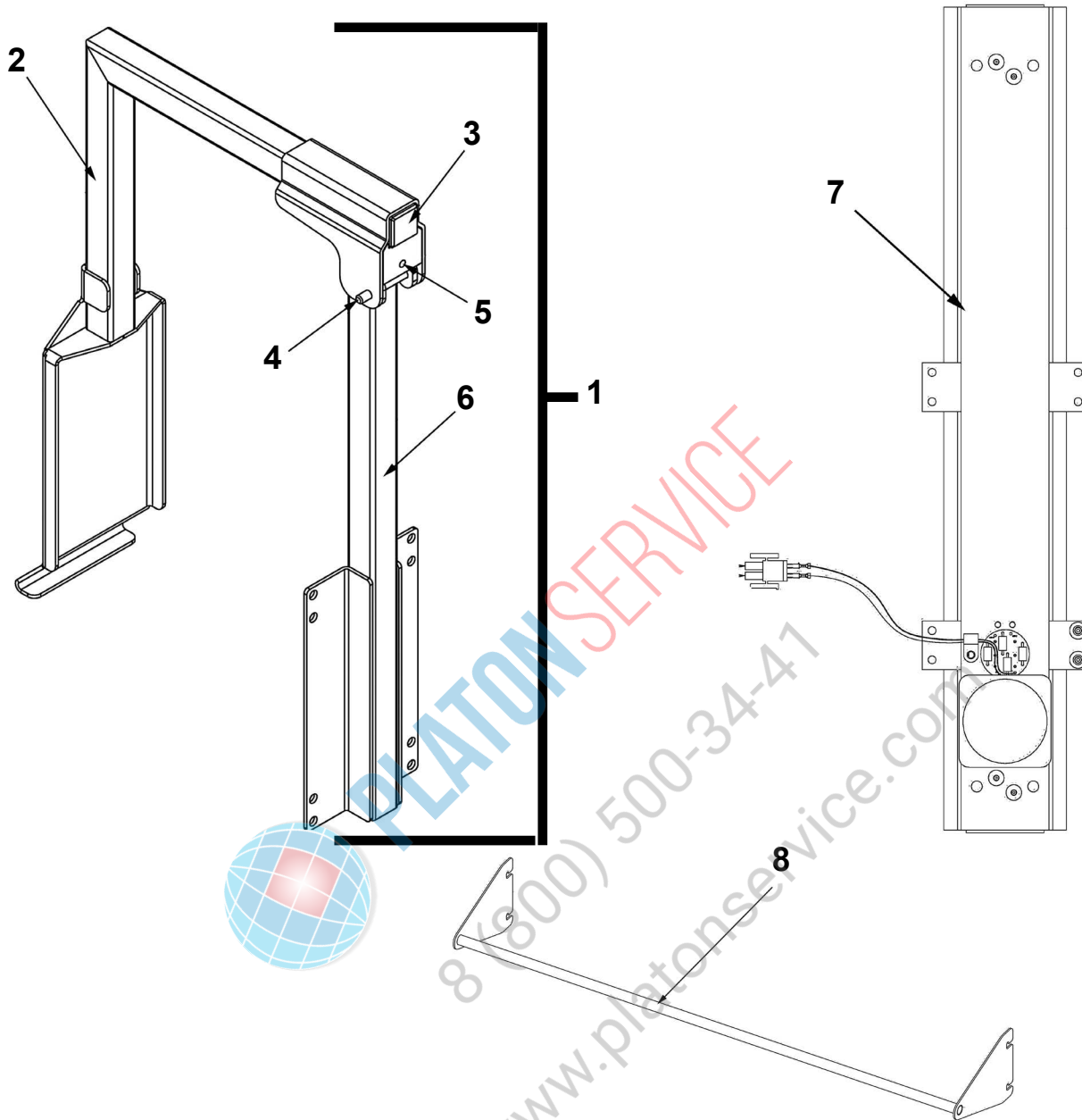
Recommend Parts: A=Truck Stock/B=Dist. Stock / \*not shown

<b>Pivot Stop Drain Handle</b>				
<b>Models</b>	<b>Kit / Part Numbers</b>			
		74626 17255 NS03-103	81753 17255 NS03-103	140175
<i>Full Vats:</i> EEE-141, 142, 143 & 144	SN: BK1201020 & After (Jan. 25, 2012)		Before SN: BK1201020	
<i>Split Vats:</i> EEE-141, 142, 143 & 144		SN: BK1202011 & After (Feb. 27, 2012)		Before SN: BK1202011



STOP-PIVOT DRAIN HANDLE

# AUTO-LIFT PARTS

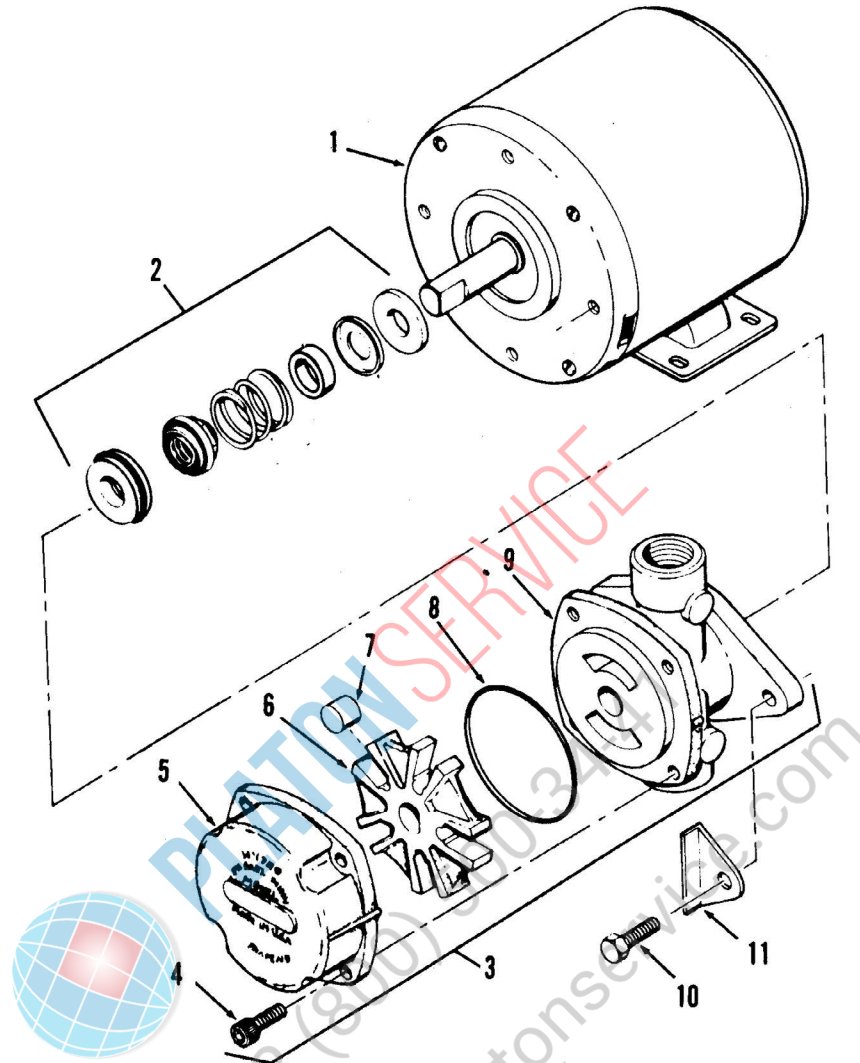


Item No.	Part No.	Description	Quantity/Vat
1	83982	ASSY - BREAKAWAY HINGE .....	2/full; 1/split
2	84279	WELD ASSY - HINGED BASKET HANGER .....	2/full; 1/split
3	15212	PLUG - TUBING SQUARE.....	2/full; 1/split
4	83925	PIN - 1/4 x 2.25 HINGE .....	2/full; 1/split
4*	MS01-578	SHIM .....	6/full; 3/split
5*	SC01-267	SCREW - 1/4-28 x 1 HEX HD SS .....	2/full; 1/split
5*	NS01-018	NUT .....	2/full; 1/split
6	83680	WELD ASSY - BREAKAWAY HINGE .....	2/full; 1/split
B 7	85022	ASSY - EE AUTOLIFT ACTUATOR & CONNECTOR.....	2/full; 1/split
8	84470	WELD ASSY - AUTOLIFT REAR GUARD - 2 WELL .....	1
8	84913	WELD ASSY - AUTOLIFT REAR GUARD - 3 WELL .....	1
8	84918	WELD ASSY - AUTOLIFT REAR GUARD - 4 WELL .....	1
9*	140273	EE-AUTOLIFT ACTUATOR MOTOR .....	A/R
9*	140274	EE-AUTOLIFT ACTUATOR SWITCH.....	A/R

Recommend Parts: A=Truck Stock/B=Dist. Stock / \*not shown



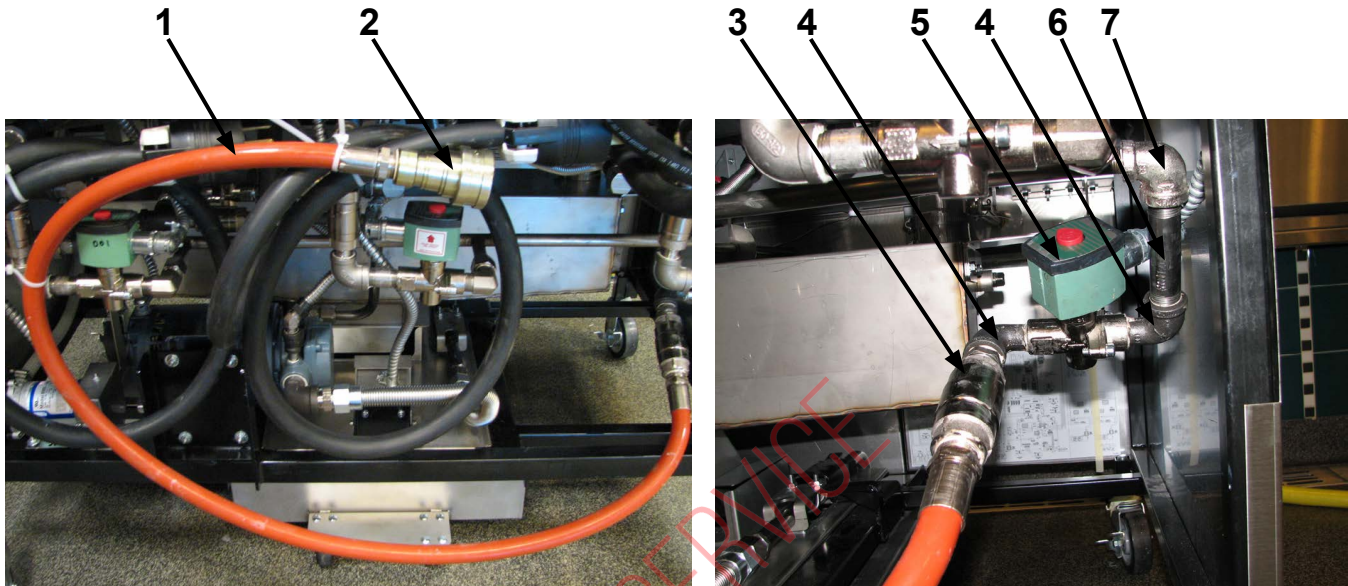




**Filter Motor and Pump**

Item No.	Part No.	Description	Quantity
A 1	67583	MOTOR, 1/2 HP - 50/60 Hz .....	1
A 2	17476	SEAL KIT .....	1
B 3	17437	PUMP ASSEMBLY .....	1
4	SC01-132	SCREW, Pump Cover .....	1
5	17451	COVER, Pump.....	1
B 6	17447	ROTOR, Pump.....	1
A 7	17446	ROLLER, Pump.....	5
A 8	17453	O-RING.....	1
9	17454	BODY, Pump .....	1
10	17456	SHIELD, Pump.....	2
11	SC01-026	SCREW, Pump Shield.....	1

Recommend Parts: A=Truck Stock/B=Dist. Stock

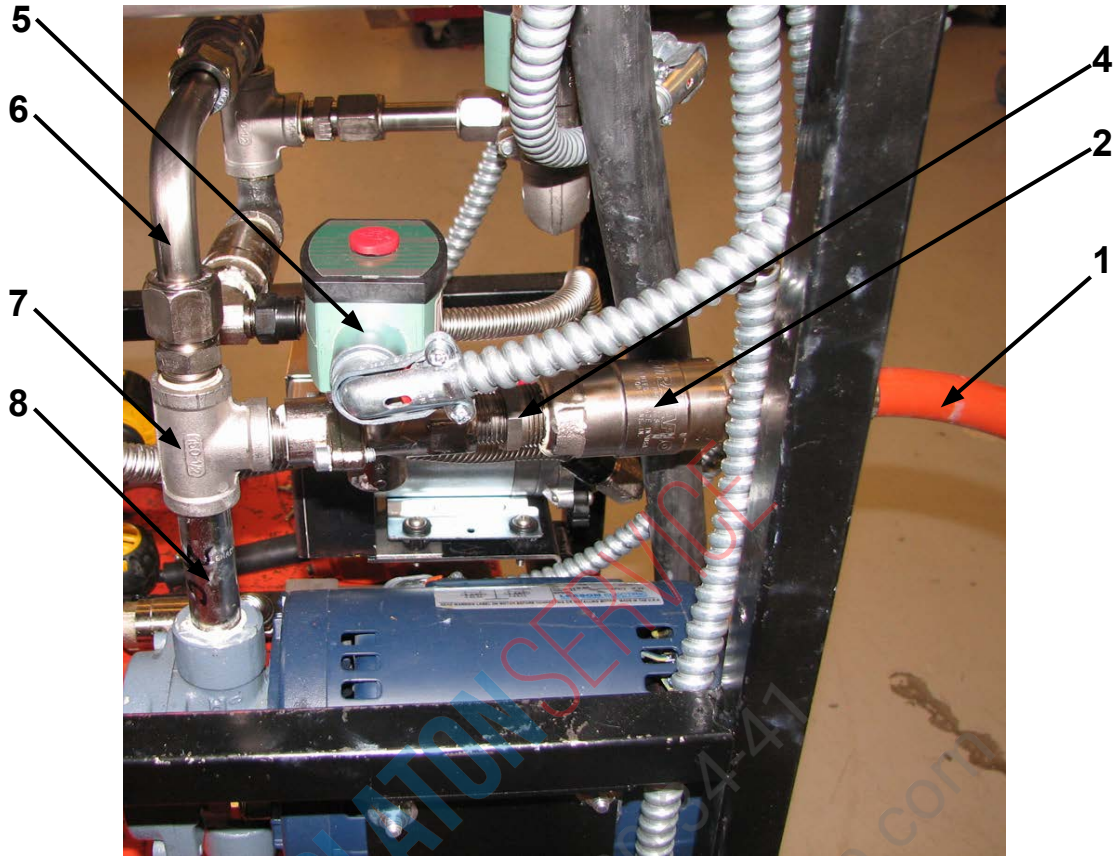


**Bulk Dispose - EEE-142, 143, 144**

Item No.	Part No.	Description	Quantity
*	140053	KIT - EEE BULK DISPOSE RETROFIT .....	1
B 1	67662	ASSY - DIRECT CONNECT HOSE .....	1
B 2	21612	DISCONNECT - FEMALE .....	1
B 3	21800	VALVE - 3/4 CHECK .....	1
4	FP01-088	ELBOW - STREET 1/2 X 90 BI .....	2
B 5	74582	VALVE - 220-240V - SOLENOID - 1/2 NPT .....	1
6	FP02-052	NIPPLE - 1/2 X 4 LG BI .....	1
7	FP01-001	ELBOW - REDUCING 1/2 TO 3/8 .....	1
B 8*	21611	DISCONNECT - MALE .....	1

Recommend Parts: A=Truck Stock/B=Dist. Stock

\* not shown



**Bulk Dispose - EEE-141**

Item No.	Part No.	Description	Quantity
*	140118	KIT - EEE-141 ONLY BULK DISPOSE .....	1
B 1	67662	ASSY - DIRECT CONNECT HOSE .....	1
B 2	21800	VALVE - 3/4 CHECK.....	1
B 3*	21612	DISCONNECT - FEMALE.....	1
4	FP01-028	NIPPLE - CLOSE 1/2 NPT SS 1 LG.....	2
B 5	74582	VALVE - 220-240V - SOLENOID - 1/2 NPT .....	1
6	88942	ASSY - JIB PUMP TO CHECK VALVE TUBE .....	1
7	FP01-011	1/2 NPT PIPE TEE 304 SS .....	1
B 8	18226	NIPPLE - 1/2 X 3-1/2 SS PIPE.....	1
B 9*	21611	DISCONNECT - MALE.....	1

Recommend Parts: A=Truck Stock/B=Dist. Stock

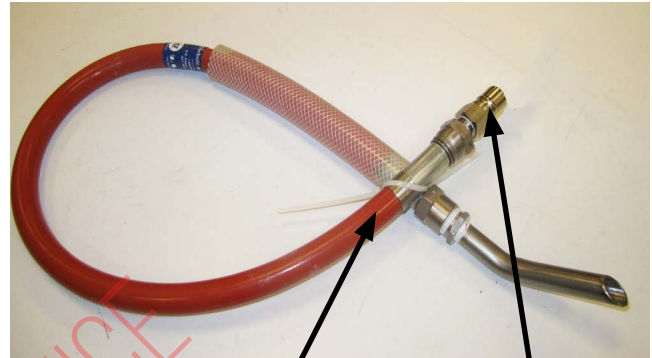
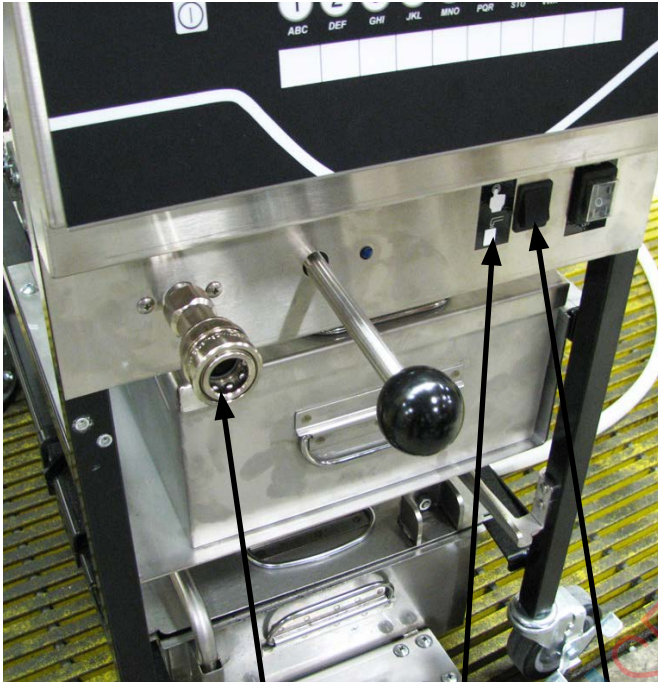
\* not shown

**Front Bulk Dispose - EEE-141 & 142 (Australia)**

EEE-141 - FULL			EEE-142		
Part No.	Description	Qty	Part No.	Description	Qty
B 17333	RINSE HOSE DISCONNECT FEMALE	1	B 17333	RINSE HOSE DISCONNECT FEMALE	1
B 74582	VALVE-220-240V SOLENOID 1/2NPT	1	B 74582	VALVE-220-240V SOLENOID 1/2NPT	1
91353	ASSY-CHK VALVE MANF EEE-141 FD	1	77523-008	TUBE-SUCTION DORMONT-7 IN	1
16807	FITTING CONNECTOR MALE	1	91351	ASSY-2WELL FS RET OIL CHK V FD	1
B 74469	VALVE-1/2 CHECK	2	81878	WELD ASSY-FS 2WELL MANIFOLD	1
FP01-028	NIPPLE, CLOSE 1/2 NPT SS 1 LG	2	81879	ASSY-2WELL JIB OIL CHECK VALVE	1
FP01-088	ELBOW-STREET 1/2 X 90 BL IRON	2	17407	CONNECTOR 1/2 MALE ELBOW	1
FP01-197	CROSS-1/2 NPT BI	1	B 74469	VALVE-1/2 CHECK	1
FP01-205	ELBOW-1/2 IN NPT MALE 45 FLARE	1	81876	ASSY-JIB PUMP TO CHECK V TUBE	1
FP01-035	NIPPLE 1/2 NPT SS - 1 1/2 L	1	FP01-029	REDUCER 1/2NPT M-3/8NPT F SS	1
FP01-206	CONNECTOR-3/8 NPT FEM 45 FLARE	1	FP02-001	NIPPLE 3/8 CLOSE	1
FP01-238	FTG-3/8 NPT STR 45 DEG FLARE	1	91350	ASSY-2WELL RTN OIL CH VALVE FD	1
FP01-029	REDUCER 1/2NPT M-3/8NPT F SS	1	16807	FITTING CONNECTOR MALE	1
60344	FITTING-RETURN LINE MTG	1	B 74469	VALVE-1/2 CHECK	1
77523-011	TUBE-SUCTION DORMONT 10.000	1	91167	ASSY-142 RTN OIL TUBE FR DISP	1
FP02-001	NIPPLE 3/8 CLOSE	1	FP01-029	REDUCER 1/2NPT M-3/8NPT F SS	1
SC01-031	SCREW 1/4-20 X 3/4 PH THD	1	FP01-087	STREET ELBOW-3/8 NPT SS	1
			FP02-001	NIPPLE 3/8 CLOSE	1
			FP01-121	TEE-3/8NPT FEMALE SS	1
			FP01-206	CONNECTOR-3/8 NPT FEM 45 FLARE	1
			FP01-238	FTG-3/8 NPT STR 45 DEG FLARE	1
			60344	FITTING-RETURN LINE MTG	1
			SC01-031	SCREW 1/4-20 X 3/4 PH THD	2
			FP02-001	NIPPLE 3/8 CLOSE	1
			FP01-029	REDUCER 1/2NPT M-3/8NPT F SS	1
EEE-141 - SPLIT					
Part No.	Description	Qty			
16807	FITTING CONNECTOR MALE	1			
B 17333	RINSE HOSE DISCONNECT FEMALE	1			
74582	VALVE-220-240V SOLENOID 1/2NPT	1			
77523-008	TUBE-SUCTION DORMONT-7 IN	1			
91192	WELD ASSY-141 SPLIT MANF FD	1			
FP01-122	REDUCER 3/8 TO 1/2 B.I.	1			
FP01-206	CONNECTOR-3/8 NPT FEM 45 FLARE	1			
FP01-238	FTG-3/8 NPT STR 45 DEG FLARE	1			
FP02-042	NIPPLE-3/8 X 2 LG BI	1			
60344	FITTING-RETURN LINE MTG	1			
FP01-029	REDUCER 1/2NPT M-3/8NPT F SS	1			
FP02-001	NIPPLE 3/8 CLOSE	1			
SC01-031	SCREW 1/4-20 X 3/4 PH HD	2			

Recommend Parts: A=Truck Stock/B=Dist. Stock  
\* not shown





**Front Bulk Dispose - EEE-141 (France)**

Item No.	Part No.	Description	Quantity
B 1	17333	DISCONNECT - FEMALE.....	1
2	84790	LABEL.....	1
B 3	84987	SWITCH - MOMENTARY - SPLASH.....	1
4	140153	ASSY - HOSE DISPOSE.....	1
B 5	17334	DISCONNECT - MALE.....	1

Recommend Parts: A=Truck Stock/B=Dist. Stock